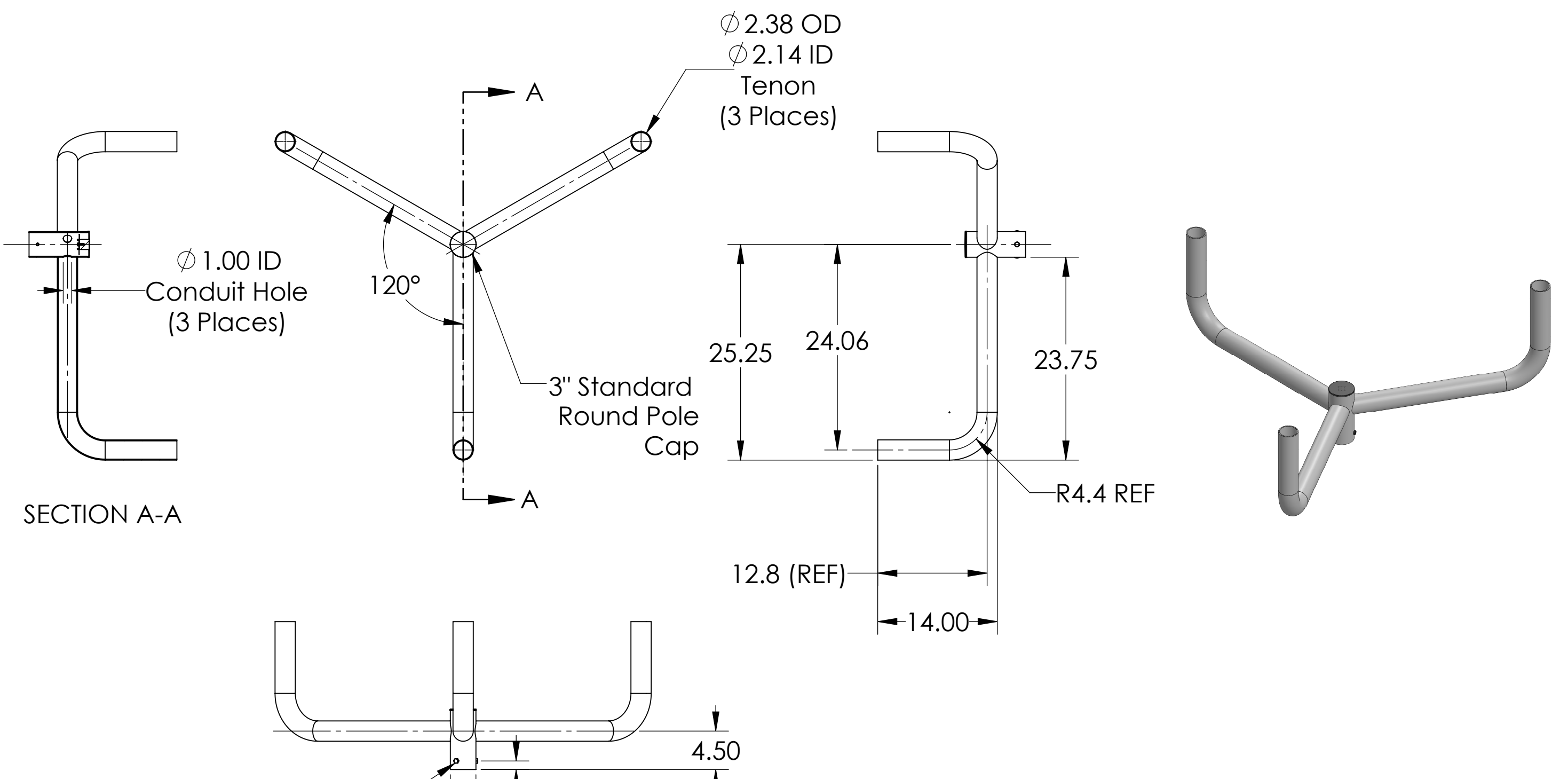


4

3

2

1



Ø 1.00 ID
Conduit Hole
(3 Places)

Ø 2.38 OD
Ø 2.14 ID
Tenon
(3 Places)

120°

3" Standard
Round Pole
Cap

25.25

24.06

23.75

R4.4 REF

12.8 (REF)

14.00


4.50

Hex Head Screw
Black Coated
M8 x 1.25 Thread, 25mm
3 Places 120° Apart

1.00
Ø 3.00 OD
Ø 2.76 ID

All dimensions and specifications are subject to change without any notice.

PROPRIETARY AND CONFIDENTIAL
THE INFORMATION CONTAINED IN THIS DRAWING IS THE SOLE PROPERTY OF **Energy Light LLC**. ANY REPRODUCTION IN PART OR AS A WHOLE WITHOUT THE WRITTEN PERMISSION OF **Energy Light LLC** IS PROHIBITED.

		UNLESS OTHERWISE SPECIFIED:		NAME	DATE
		DIMENSIONS ARE IN INCHES		DRAWN	MKA 03-29-21
		TOLERANCES:		ENG APPR.	
		FRACTIONAL: ± 1/64		MFG APPR.	
		ANGULAR: ± 0.5°		Q.A.	
		TWO PLACE DECIMAL ±0.01			
		THREE PLACE DECIMAL ±0.005			
		INTERPRET GEOMETRIC TOLERANCING PER:		 Energy Light LLC 1881 Rose Road Lake Zurich, IL 60047	
		MATERIAL			
		STEEL			
NEXT ASSY	USED ON	FINISH			
APPLICATION		DO NOT SCALE DRAWING			

TITLE:
**Steel Bullhorn with
3 Arms at 120
Degrees**

SIZE	ITEM NO.	REV
B	10064	
SCALE: 1:12	WEIGHT: 24 lbs	SHEET 1 OF 1

4

3

2

1