



EACLED38

36 Watt Economy LED Acorn Light Fixture with Medium Socket

Job: _____

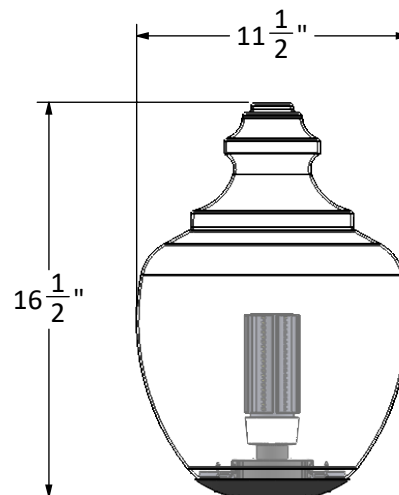
Job Site: _____ State: _____ Client Name: _____

Notes: _____ Approvals: _____ Date: _____

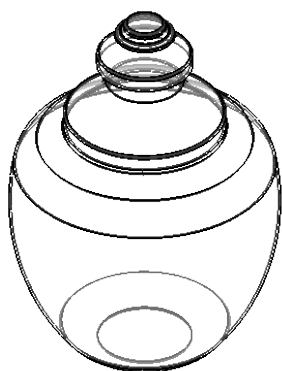
- This outdoor acorn fixture is designed to fit over a 3 inch pole or tenon. The base slides over a 3 inch O.D. pole and is locked-in place with 3 set screws. The globe is attached to the base assembly with an easy-to-use locking mechanism making replacement of the bulb or acorn very easy.
- The polycarbonate base assembly with the socket has a black finish.
- The acorn is made of polycarbonate material and has a translucent texture.
- EPA: 1.04
- Weight: 3.2 lbs

LED Lamp

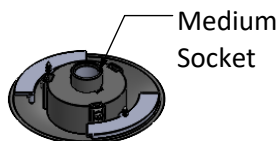
- Power: 36 Watts
- Lumens: 5,400 Lumens
- Voltage: 120-277 VAC
- Lumens/Watt: 150
- Life Expectancy: >50,000 hours
- Color Temperature: 4000K
- Non-Dimmable
- UL Listed: Damp Location
- Warranty: 5 Years



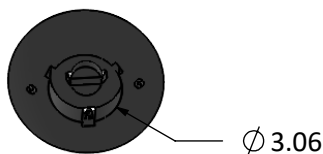
Lamp is shipping uninstalled



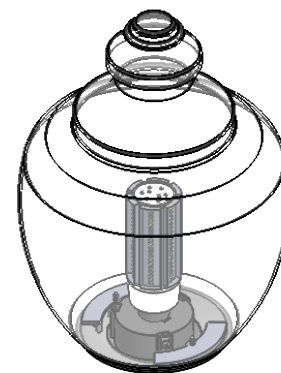
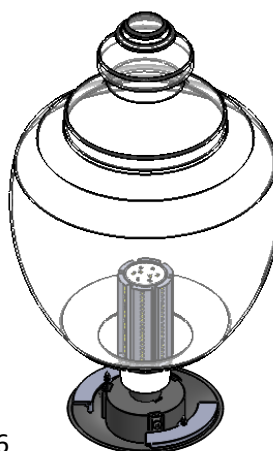
Acorn Globe



Medium Socket



Black Plastic Post with Medium Socket



Disclaimer: All dimensions and specifications are subject to change without any notice.

Energy Light, Inc. is not responsible for any claims arising from improper use and/or installation.