

QS20S4SQ125

20 Foot Square Steel Light Pole, 4 Inch Width, 11 Gauge, Quick Ship



Job: _____
 Job Site: _____ State: _____ Client Name: _____
 Notes: _____ Approvals: _____ Date: _____

Pole Top Options: A removable top cap is provided. Predrilled mounting holes are standard. 2-3/8 inch removable steel tenon is provided as an option.

Pole Shaft and Height: 4 inch square 11 gauge commercial grade steel conforms to ASTM standards. Pole height is 20 ft.

Handhole: 3" X 5" size reinforced handhole is located at 18 inches from the base. A ground lug with set screw is located near the handhole opening for proper grounding of the pole.

Color: Dark Bronze and Black.

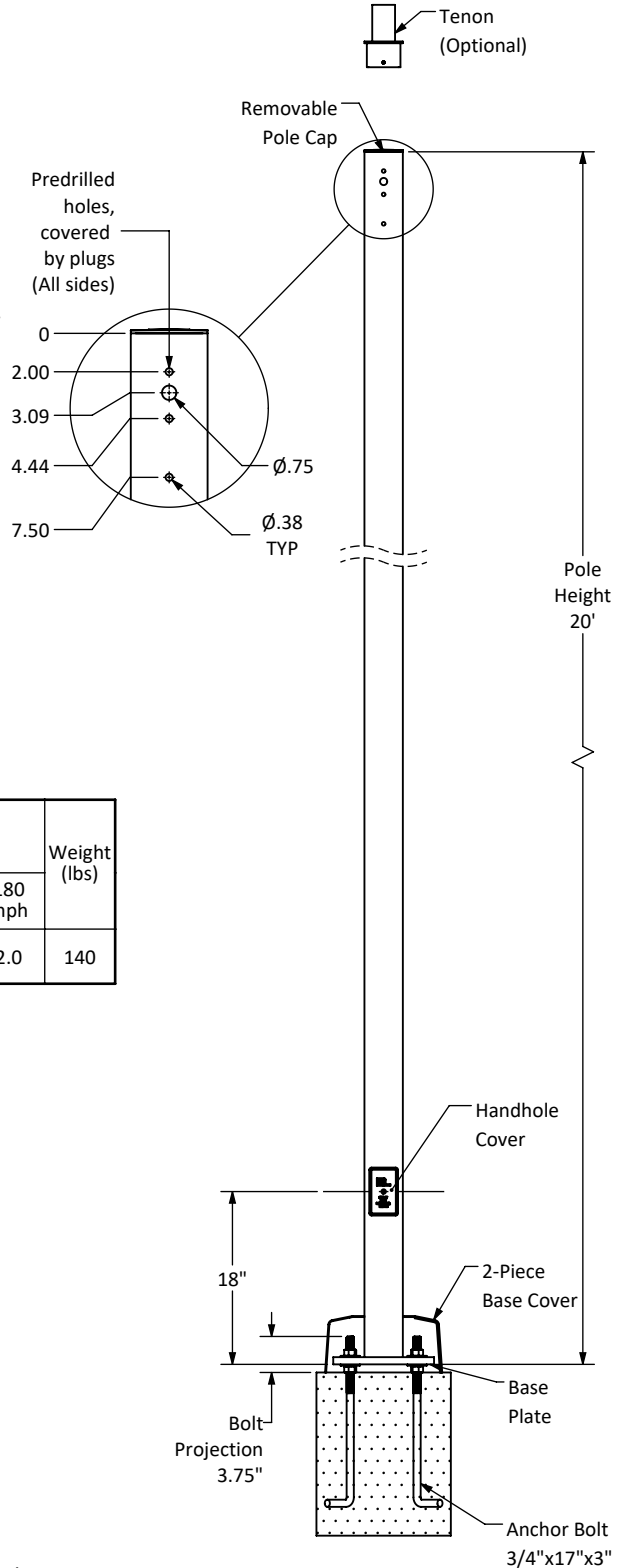
Anchor Bolts: A set of 4 galvanized steel anchor bolts specifically designed for this light pole is required for each pole assembly. Each anchor bolt includes 2 nuts and 2 washers. The top portion of the anchor bolt is threaded for securing and leveling the pole with the provided nuts and washers. An actual size paper anchor bolt template is provided.

Bolt Circle: 8.5 inches (Bolt Circle Range: 8"-11")

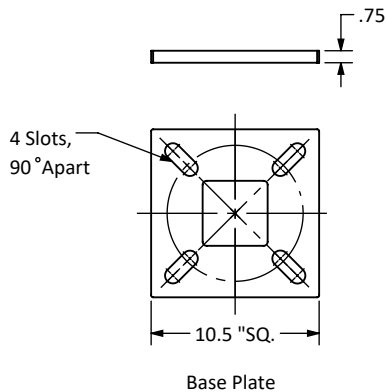
Base Cover: Two piece ABS plastic base cover is required for protecting pole base from elements.

Warranty: 1 Year.

Foundation design: Foundation should be designed by an engineer familiar with local soil and wind conditions as well as local code where the pole(s) will be installed.



Max. EPA (ft ²) per AASHTO LRFDLTS-1										Weight (lbs)
100 mph	110 mph	115 mph	120 mph	130 mph	140 mph	150 mph	160 mph	170 mph	180 mph	
19.0	14.9	12.9	11.3	9.1	7.1	5.4	3.8	3.0	2.0	140



Disclaimer: All dimensions and specifications are subject to change without any notice. Energy Light LLC is not responsible for any claims arising from improper loading (what is attached to the light pole), improper use, incorrect foundation design and/or installation.