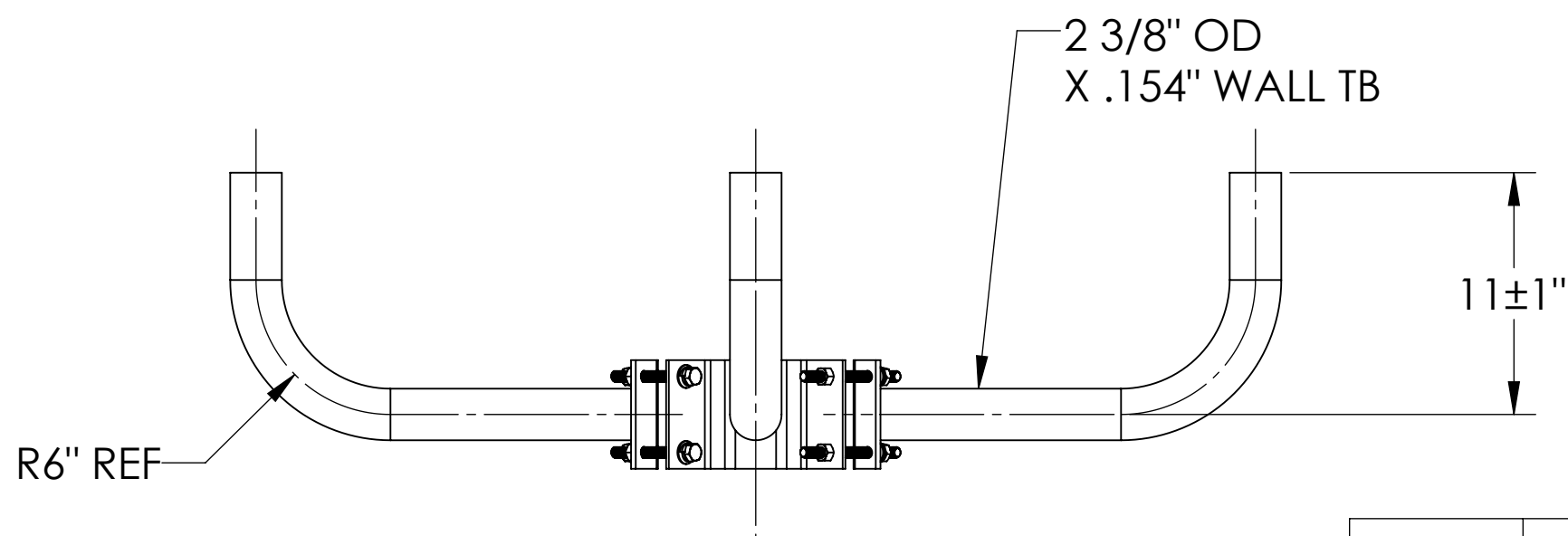
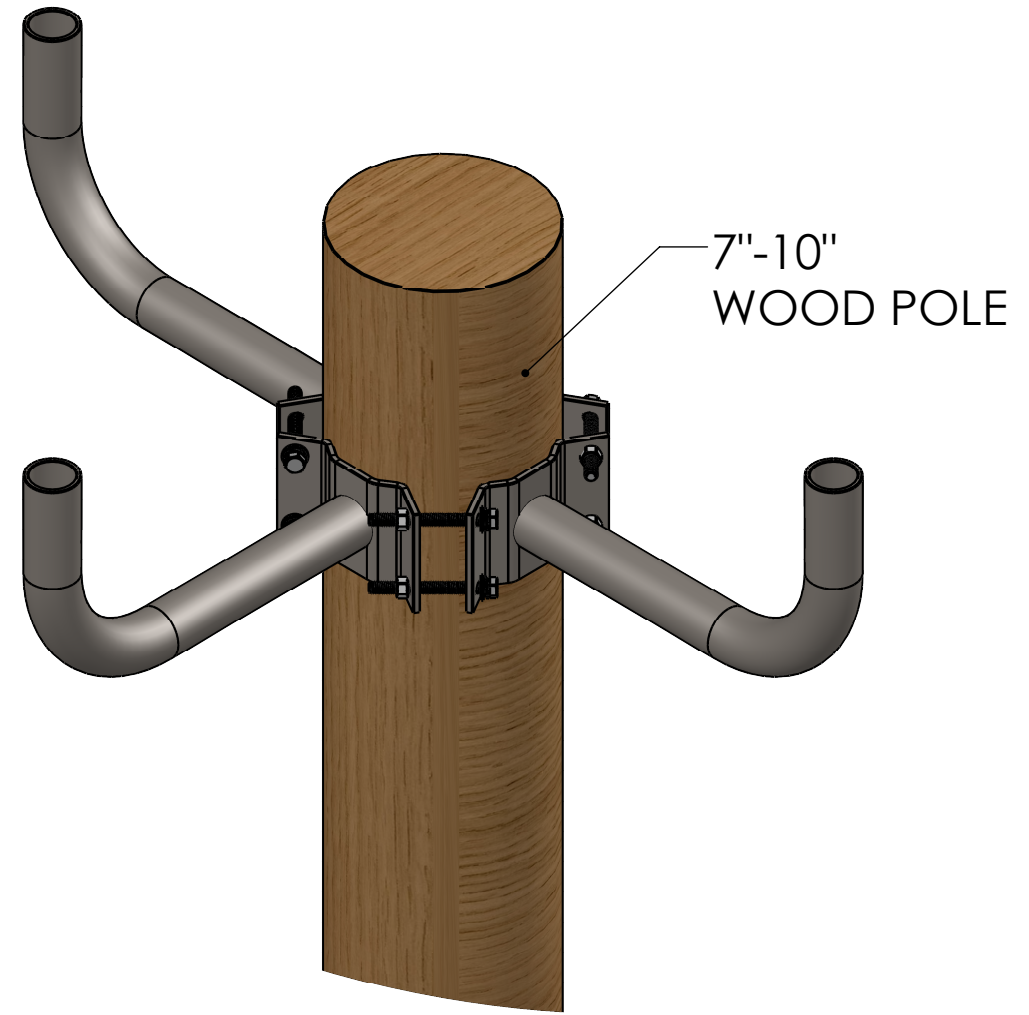
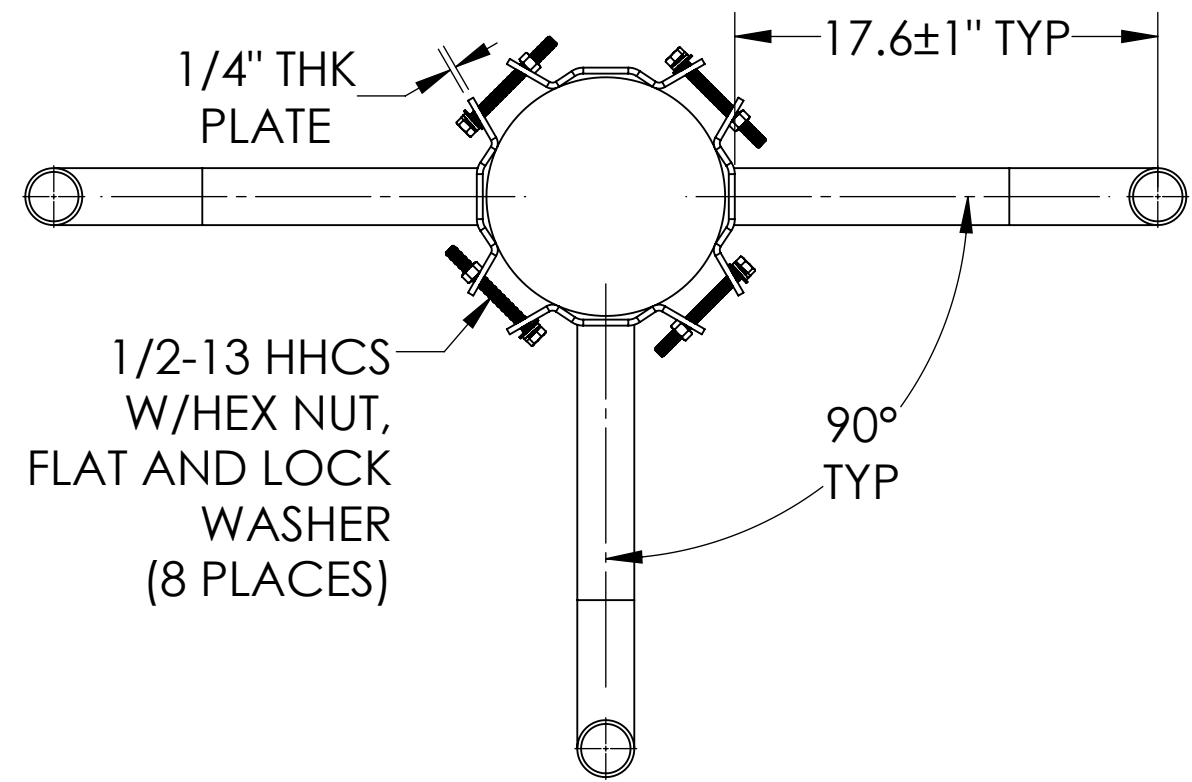


4

3


2

1



All dimensions and specifications are subject to change without any notice.

PROPRIETARY AND CONFIDENTIAL
 THE INFORMATION CONTAINED IN THIS DRAWING IS THE SOLE PROPERTY OF *Energy Light, Inc.* ANY REPRODUCTION IN PART OR AS A WHOLE WITHOUT THE WRITTEN PERMISSION OF *Energy Light, Inc.* IS PROHIBITED.

		UNLESS OTHERWISE SPECIFIED:		NAME	DATE	TITLE: 3 Arm Wrap Around Bracket for Wood Poles with 7-10 Inch Diameter, Arms at 90 Degrees	
		DIMENSIONS ARE IN INCHES TOLERANCES: FRACTIONAL $\pm 1/64$ ANGULAR: $\pm 0.5^\circ$ TWO PLACE DECIMAL ± 0.01 THREE PLACE DECIMAL ± 0.005		DRAWN	MKA		07-09-21
		INTERPRET GEOMETRIC TOLERANCING PER:		ENG APPR.			
		MATERIAL Galvanized Steel		MFG APPR.			
NEXT ASSY	USED ON	FINISH		Q.A.		SIZE B	
APPLICATION		DO NOT SCALE DRAWING		 1881 Rose Road Lake Zurich, IL 60047		ITEM NO. WPB1146	
				SCALE: 1:8		WEIGHT: 39 lbs	
						REV	
						SHEET 1 OF 1	

4

3

2

1

B

B

A

A