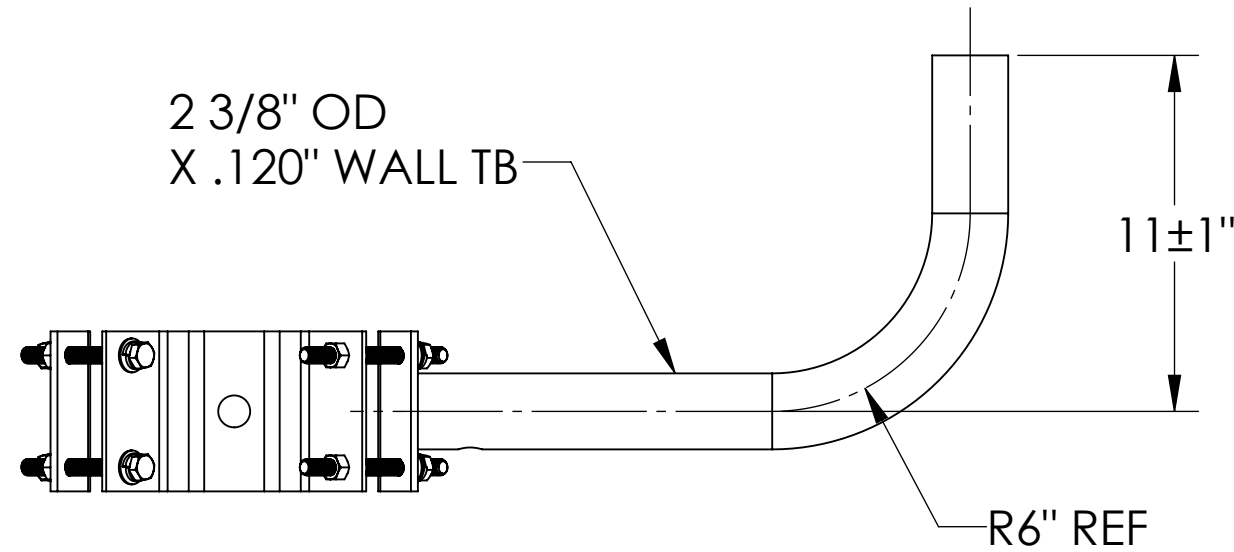
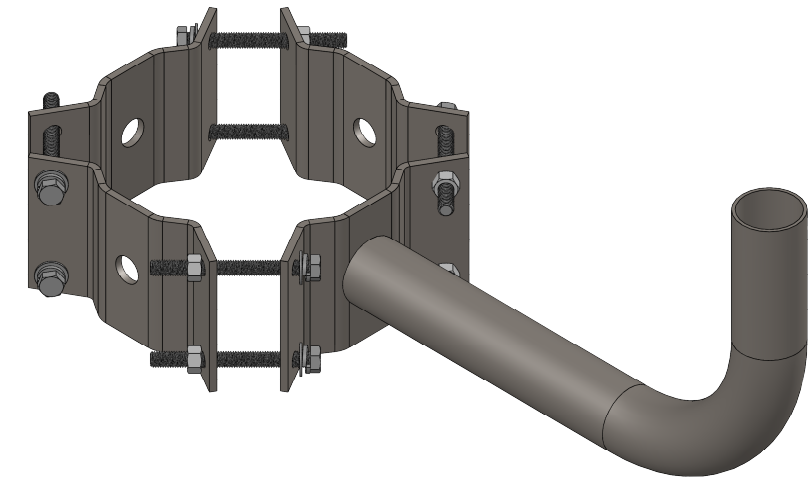
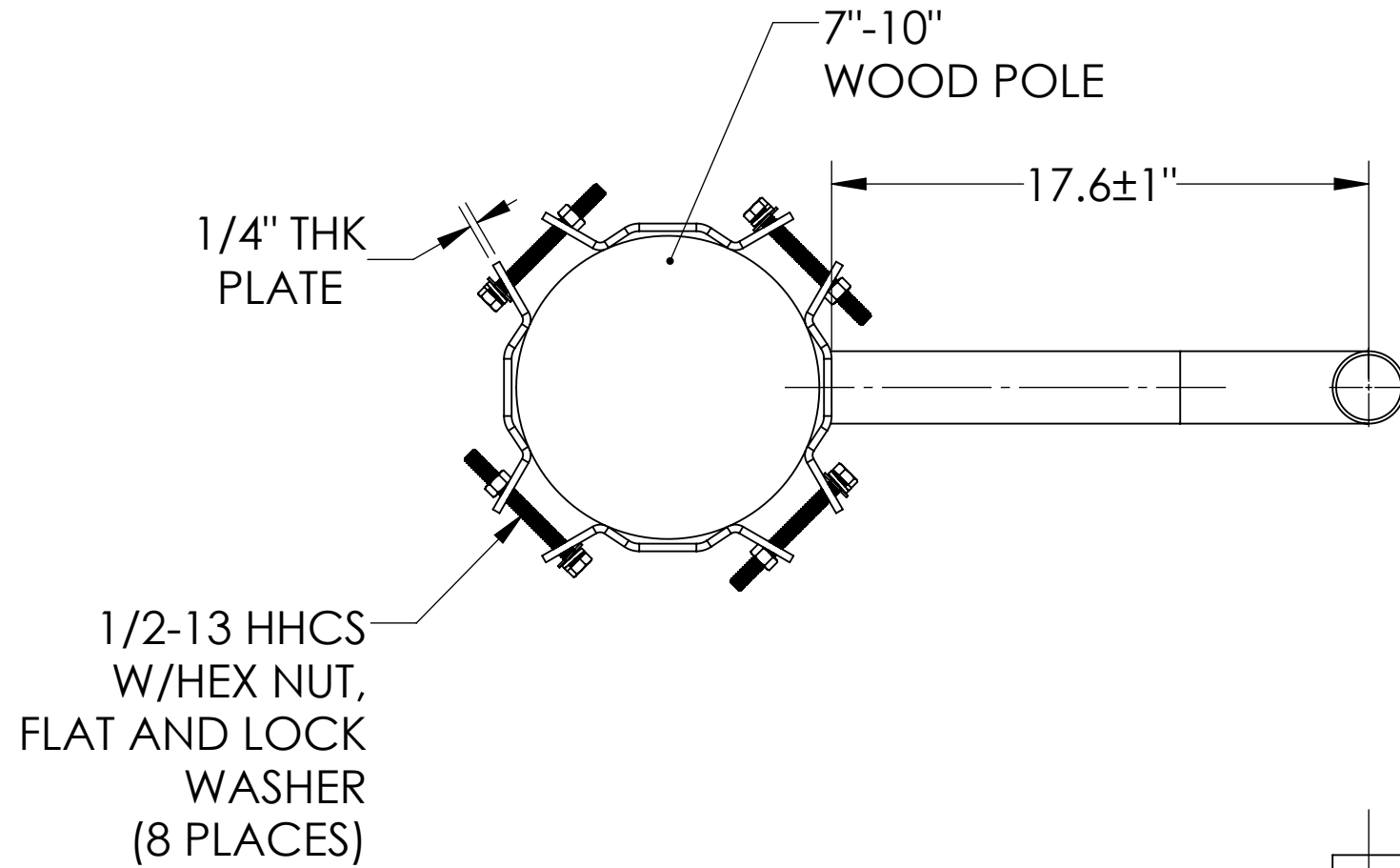


4

3


2

1



All dimensions and specifications are subject to change without any notice.

PROPRIETARY AND CONFIDENTIAL
THE INFORMATION CONTAINED IN THIS DRAWING IS THE SOLE PROPERTY OF *Energy Light, Inc.* ANY REPRODUCTION IN PART OR AS A WHOLE WITHOUT THE WRITTEN PERMISSION OF *Energy Light, Inc.* IS PROHIBITED.

		UNLESS OTHERWISE SPECIFIED:		NAME	DATE	TITLE: 1 Arm Wrap Around Bracket for Wood Poles with 7-10 Inch Diameter		
		DIMENSIONS ARE IN INCHES		DRAWN	MKA			07-08-21
		TOLERANCES: FRACTIONAL ± 1/64 ANGULAR: ± 0.5° TWO PLACE DECIMAL ± 0.01 THREE PLACE DECIMAL ± 0.005		ENG APPR.				
		INTERPRET GEOMETRIC TOLERANCING PER: MATERIAL		MFG APPR.				
NEXT ASSY	USED ON	FINISH		 Energy Light, Inc. 1881 Rose Road Lake Zurich, IL 60047		SIZE	ITEM NO.	REV
APPLICATION		DO NOT SCALE DRAWING				B	WPB1148	
						SCALE: 1:6	WEIGHT: 21 lbs	SHEET 1 OF 1

4

3

2

1

B

B

A

A