

4

3

2

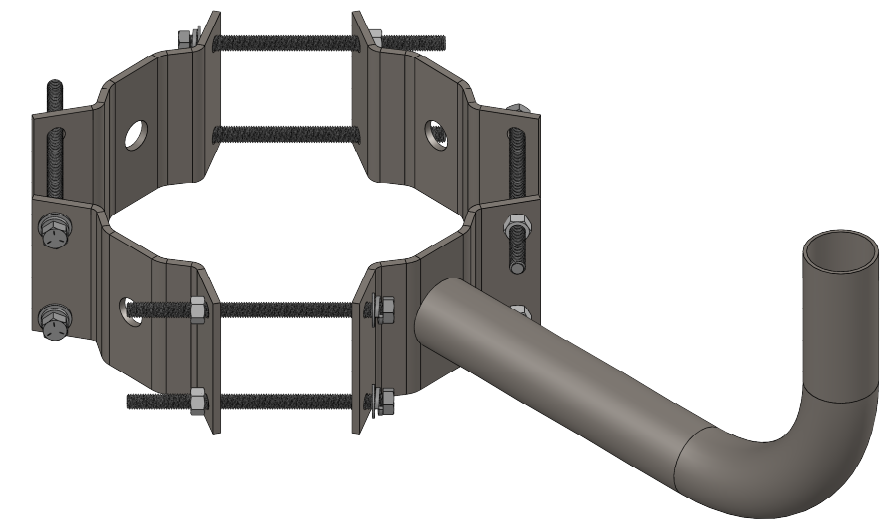
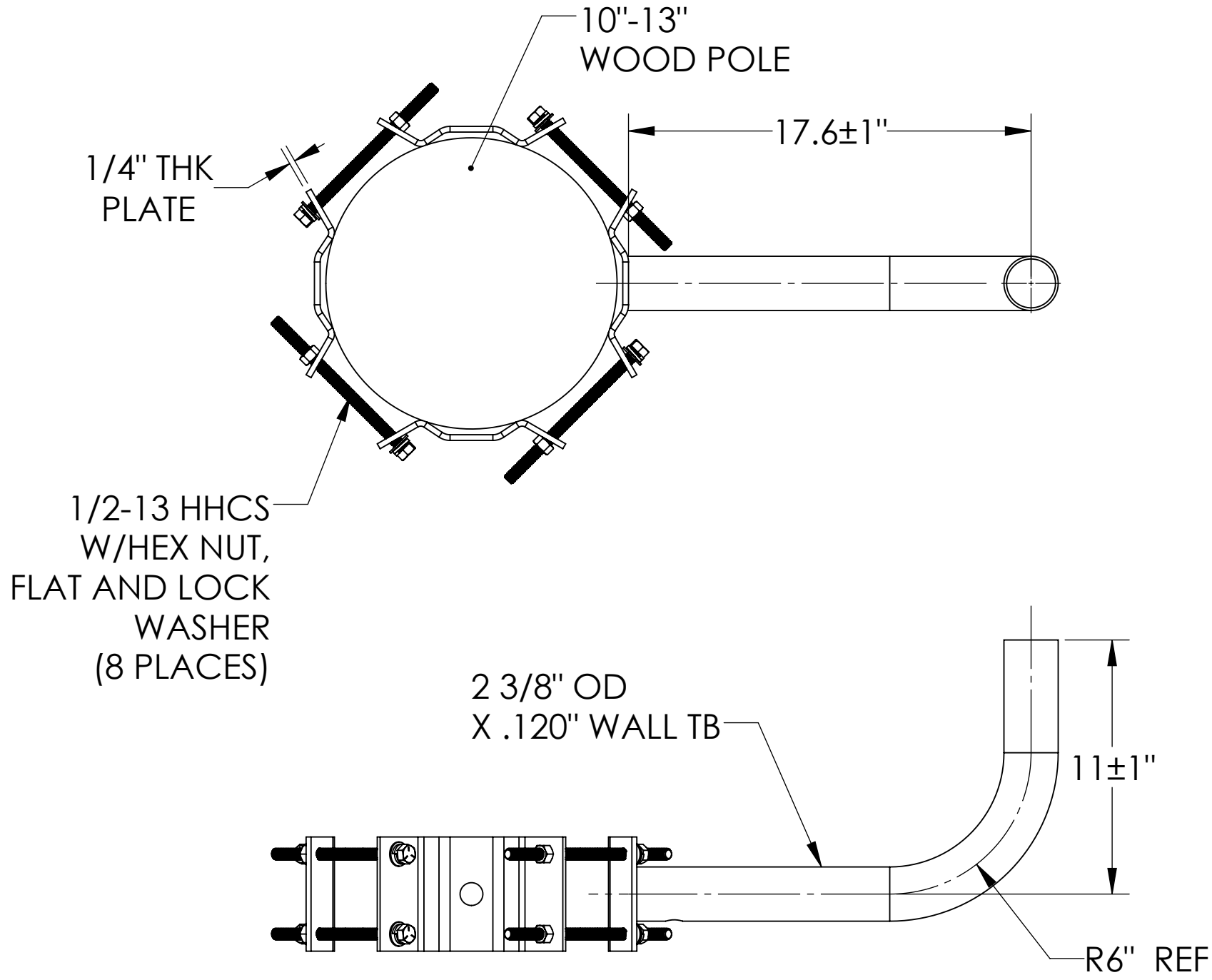
1

B

B


A

A



All dimensions and specifications are subject to change without any notice.

**PROPRIETARY AND CONFIDENTIAL**  
THE INFORMATION CONTAINED IN THIS DRAWING IS THE SOLE PROPERTY OF *Energy Light, Inc.* ANY REPRODUCTION IN PART OR AS A WHOLE WITHOUT THE WRITTEN PERMISSION OF *Energy Light, Inc.* IS PROHIBITED.

		UNLESS OTHERWISE SPECIFIED:		NAME	DATE	TITLE: <b>1 Arm Wrap Around Bracket for Wood Poles with 10-13 Inch Diameter</b>		
		DIMENSIONS ARE IN INCHES		DRAWN	MKA			07-08-21
		TOLERANCES: FRACTIONAL ± 1/64 ANGULAR: ± 0.5° TWO PLACE DECIMAL ±0.01 THREE PLACE DECIMAL ±0.005		ENG APPR.				
		INTERPRET GEOMETRIC TOLERANCING PER: MATERIAL		MFG APPR.				
NEXT ASSY	USED ON	FINISH		 1881 Rose Road Lake Zurich, IL 60047		SIZE	ITEM NO.	REV
APPLICATION		DO NOT SCALE DRAWING				<b>B</b>	<b>WPB1149</b>	
						SCALE: 1:6	WEIGHT: 21 lbs	SHEET 1 OF 1

4

3

2

1