

4

3

2

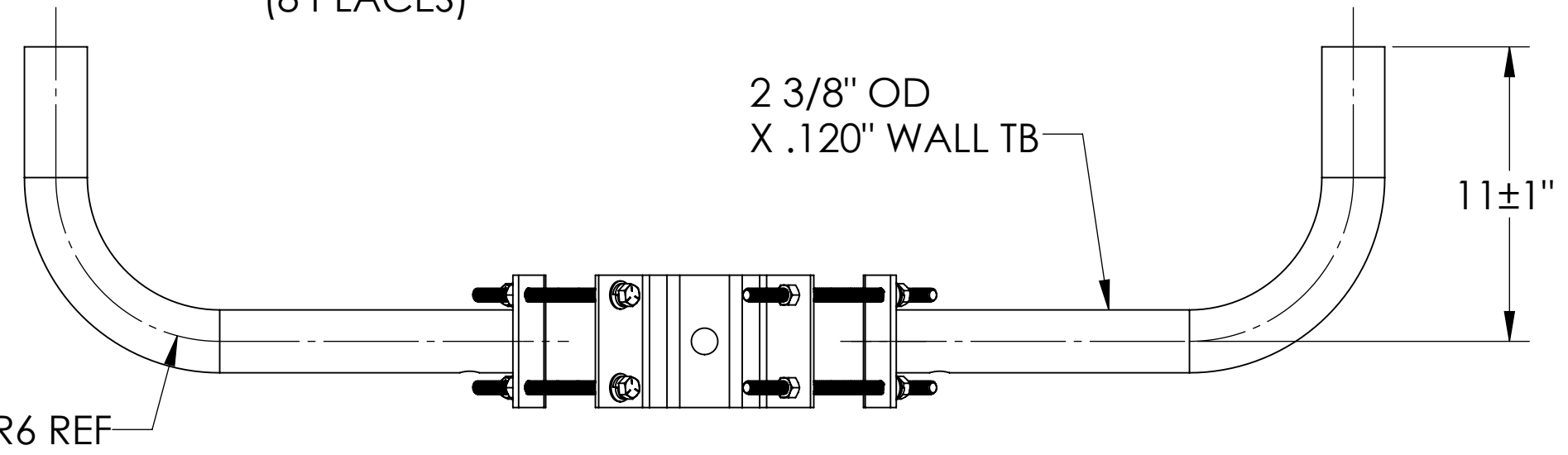
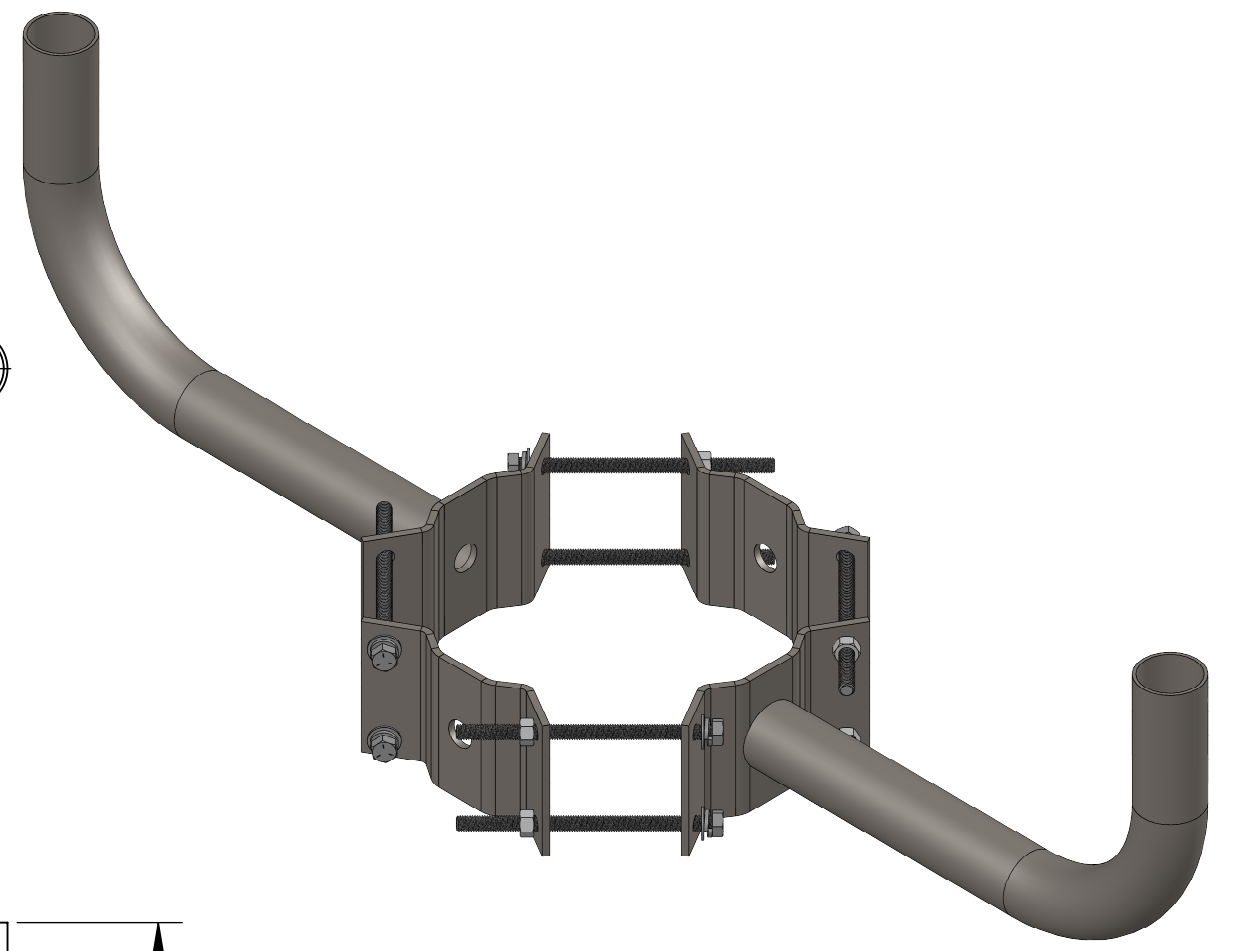
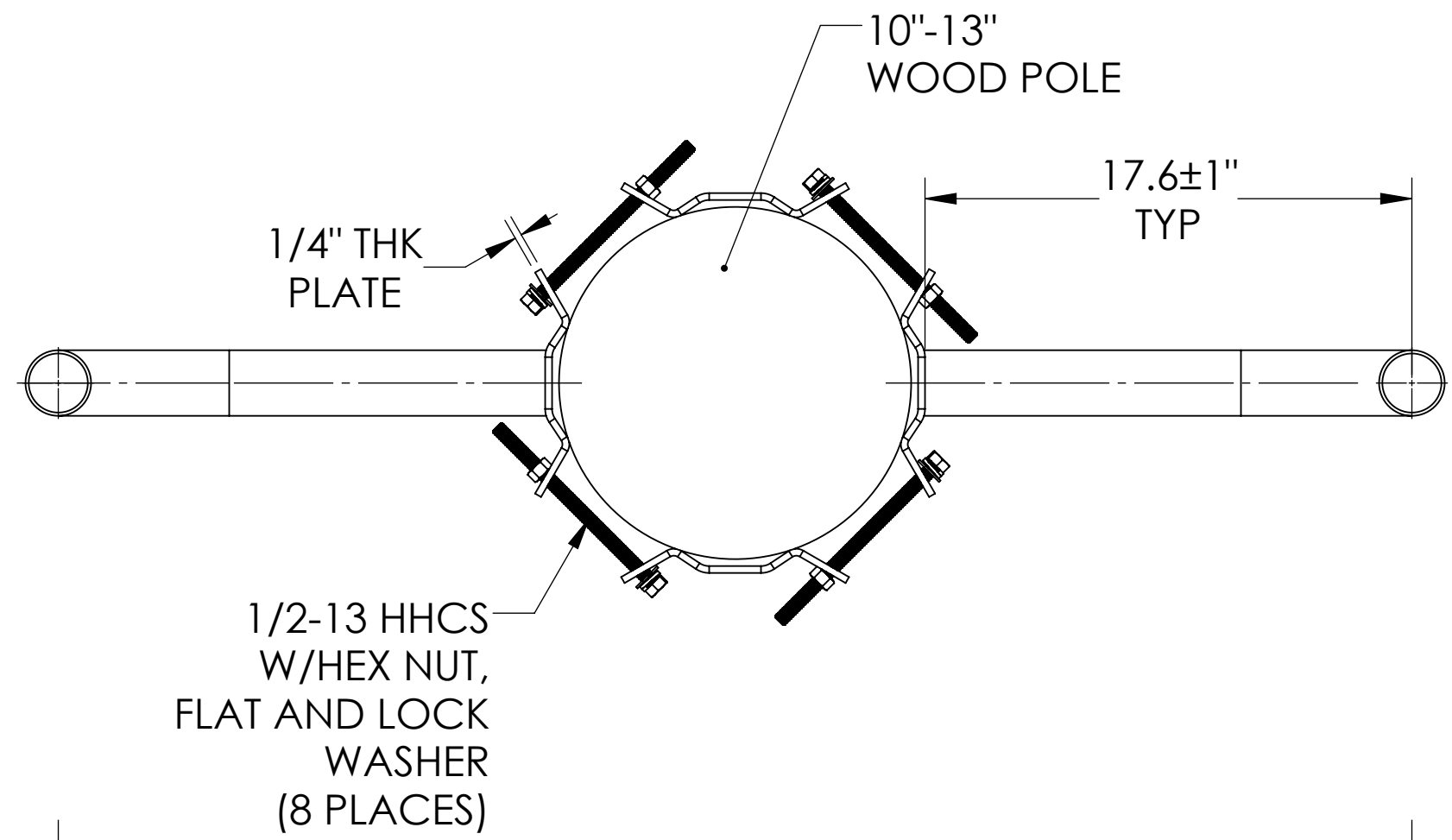
1

B

B


A

A



All dimensions and specifications are subject to change without any notice.

**PROPRIETARY AND CONFIDENTIAL**  
 THE INFORMATION CONTAINED IN THIS DRAWING IS THE SOLE PROPERTY OF *Energy Light, Inc.* ANY REPRODUCTION IN PART OR AS A WHOLE WITHOUT THE WRITTEN PERMISSION OF *Energy Light, Inc.* IS PROHIBITED.

		UNLESS OTHERWISE SPECIFIED:		NAME	DATE	TITLE: <b>2 Arm Wrap Around Bracket for Wood Poles with 10-13 Inch Diameter</b>					
		DIMENSIONS ARE IN INCHES		DRAWN	MKA			07-08-21			
		TOLERANCES: FRACTIONAL $\pm 1/64$		ENG APPR.							
		ANGULAR: $\pm 0.5^\circ$		MFG APPR.							
		TWO PLACE DECIMAL $\pm 0.01$		Q.A.			SIZE	ITEM NO.	REV		
		THREE PLACE DECIMAL $\pm 0.005$		 1881 Rose Road Lake Zurich, IL 60047			<b>B</b>	<b>WPB1151</b>			
		INTERPRET GEOMETRIC TOLERANCING PER:					SCALE: 1:6			WEIGHT: 30 lbs	SHEET 1 OF 1
		MATERIAL									
		FINISH									
NEXT ASSY	USED ON	APPLICATION		DO NOT SCALE DRAWING							

4

3

2

1