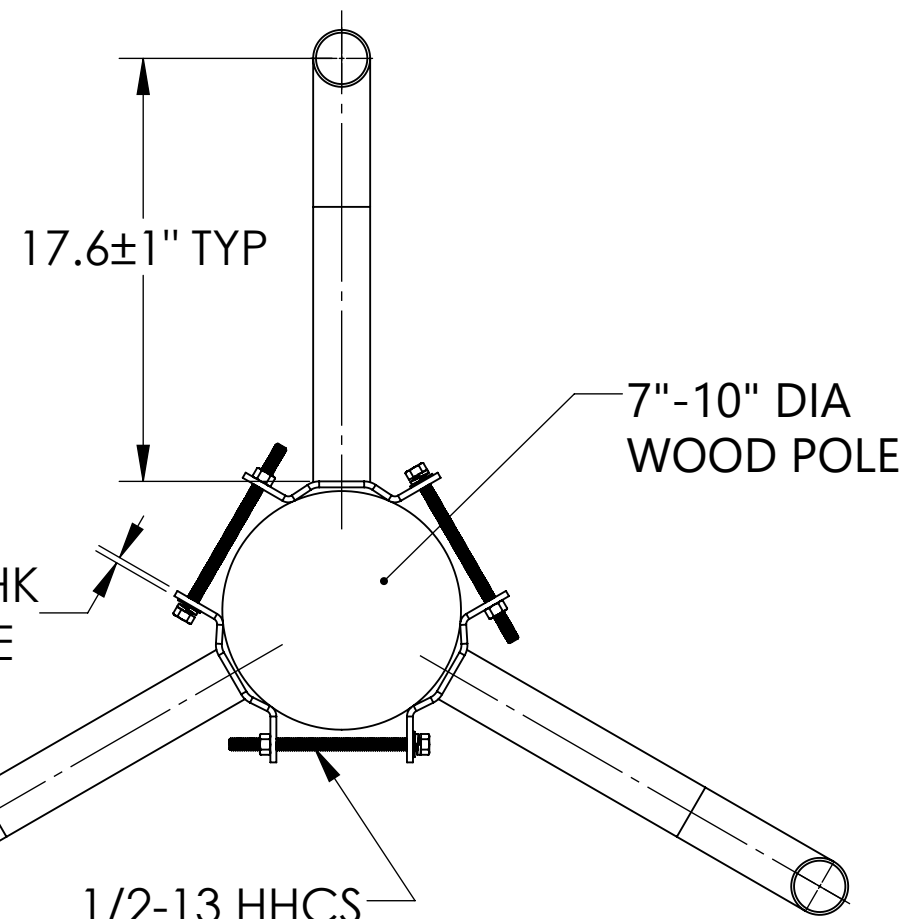
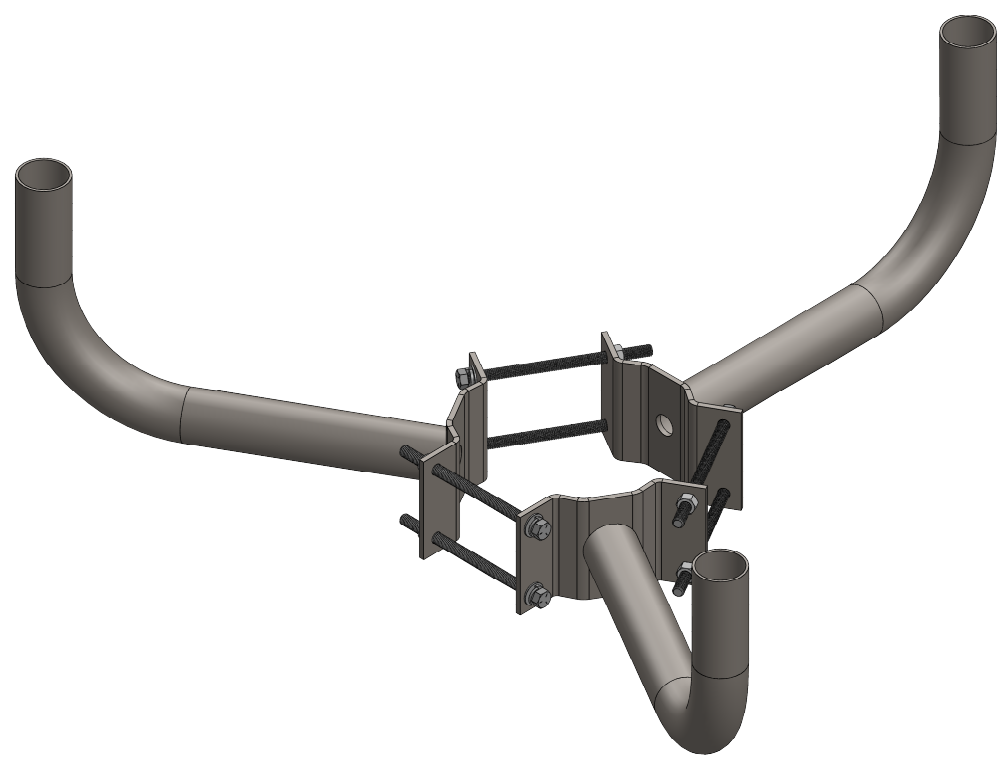
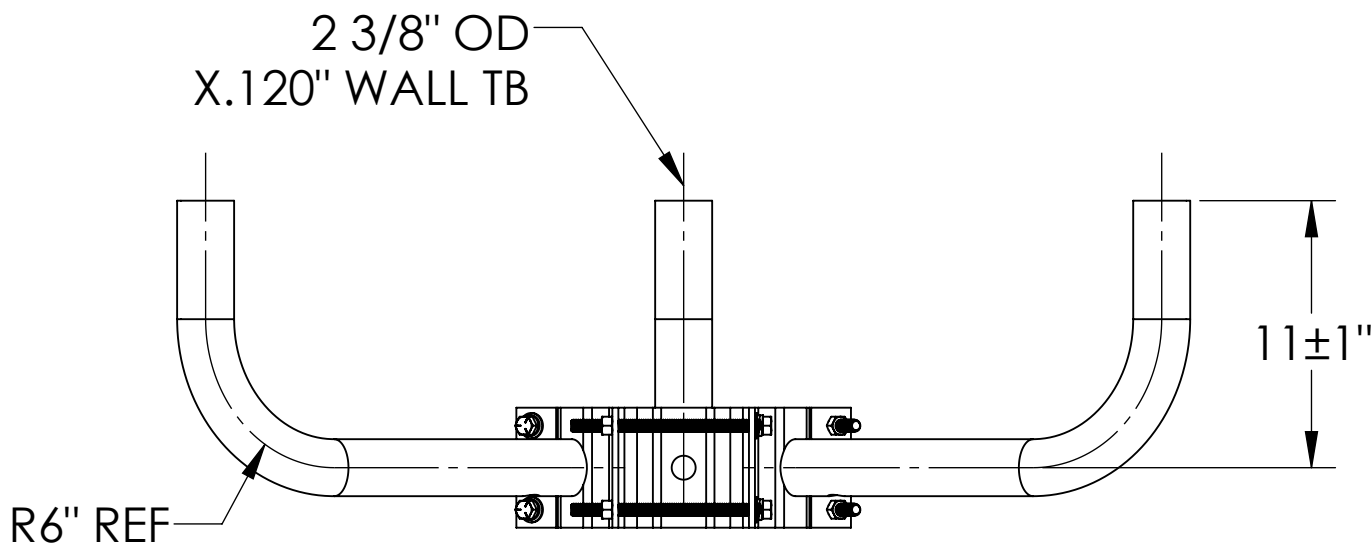


4

3

2

1




1/4" THK PLATE

7"-10" DIA WOOD POLE

1/2-13 HHCS W/HEX NUT, FLAT AND LOCK WASHER (6 PLACES)

All dimensions and specifications are subject to change without any notice.

PROPRIETARY AND CONFIDENTIAL
THE INFORMATION CONTAINED IN THIS DRAWING IS THE SOLE PROPERTY OF *Energy Light, Inc.* ANY REPRODUCTION IN PART OR AS A WHOLE WITHOUT THE WRITTEN PERMISSION OF *Energy Light, Inc.* IS PROHIBITED.

		UNLESS OTHERWISE SPECIFIED:		NAME	DATE	TITLE: 3 Arm Wrap Around Bracket for Wood Poles with 7-10 Inch Diameter, with Arms at 120 Degrees		
		DIMENSIONS ARE IN INCHES TOLERANCES: FRACTIONAL ± 1/64 ANGULAR: ± 0.5° TWO PLACE DECIMAL ±0.01 THREE PLACE DECIMAL ±0.005		DRAWN	MKA			07-07-21
		INTERPRET GEOMETRIC TOLERANCING PER:		ENG APPR.				
		MATERIAL		MFG APPR.				
NEXT ASSY	USED ON	FINISH		 Energy Light, Inc. 1881 Rose Road Lake Zurich, IL 60047		SIZE	ITEM NO.	REV
APPLICATION		DO NOT SCALE DRAWING				B	WPB1152	
						SCALE: 1:8	WEIGHT: 36 lbs	SHEET 1 OF 1

4

3

2

1

B

B

A

A