

4

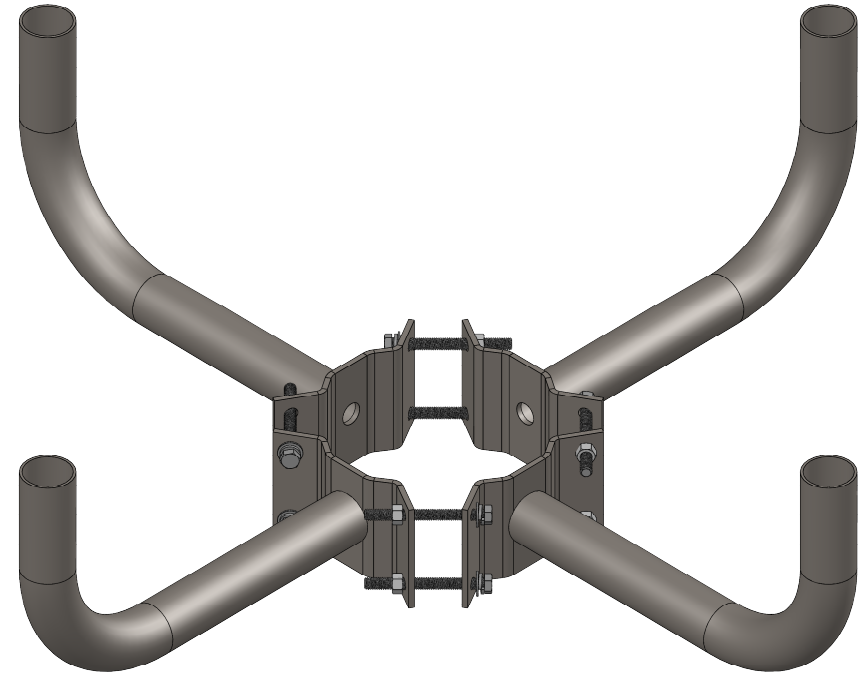
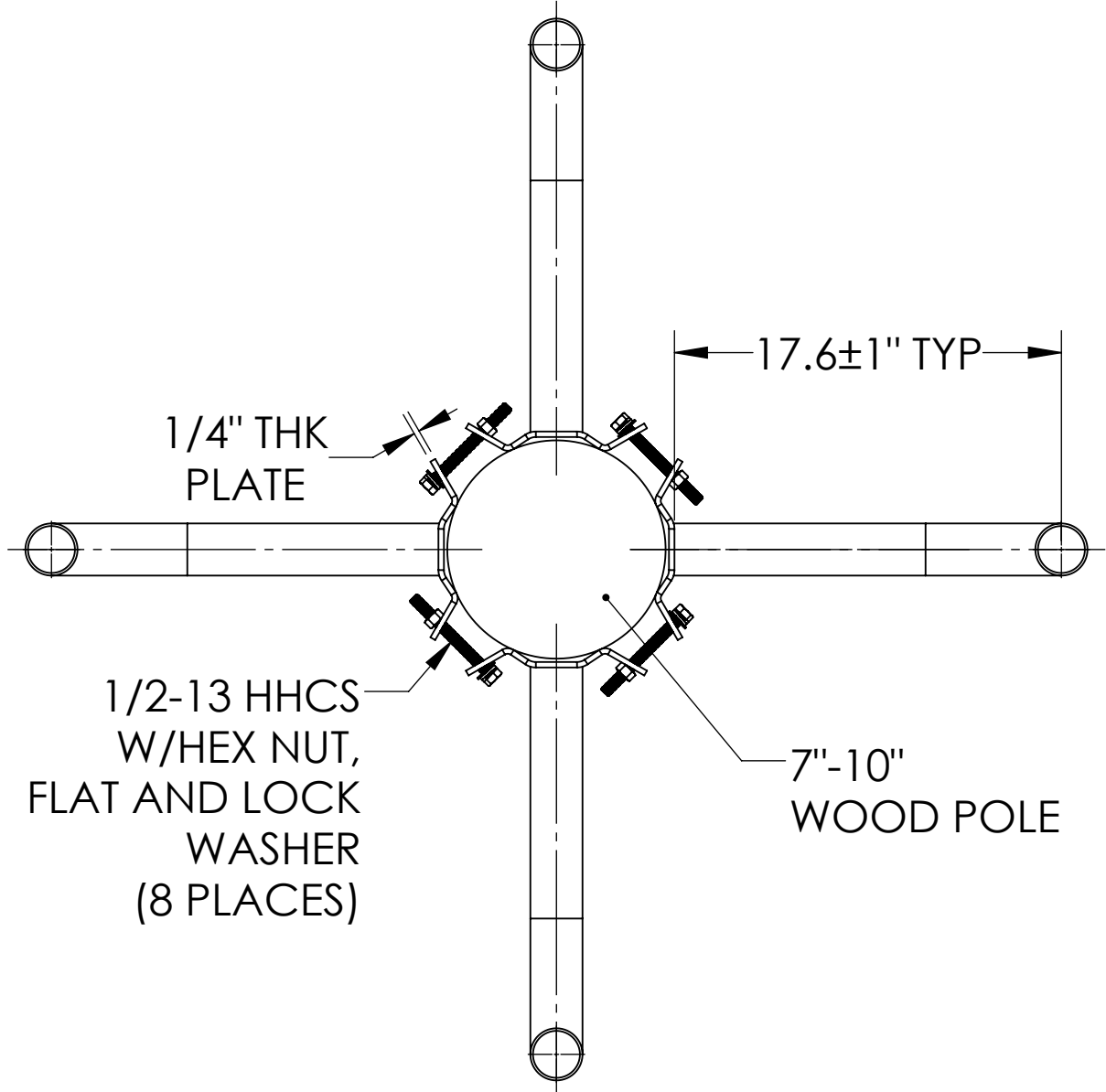
3

2

1

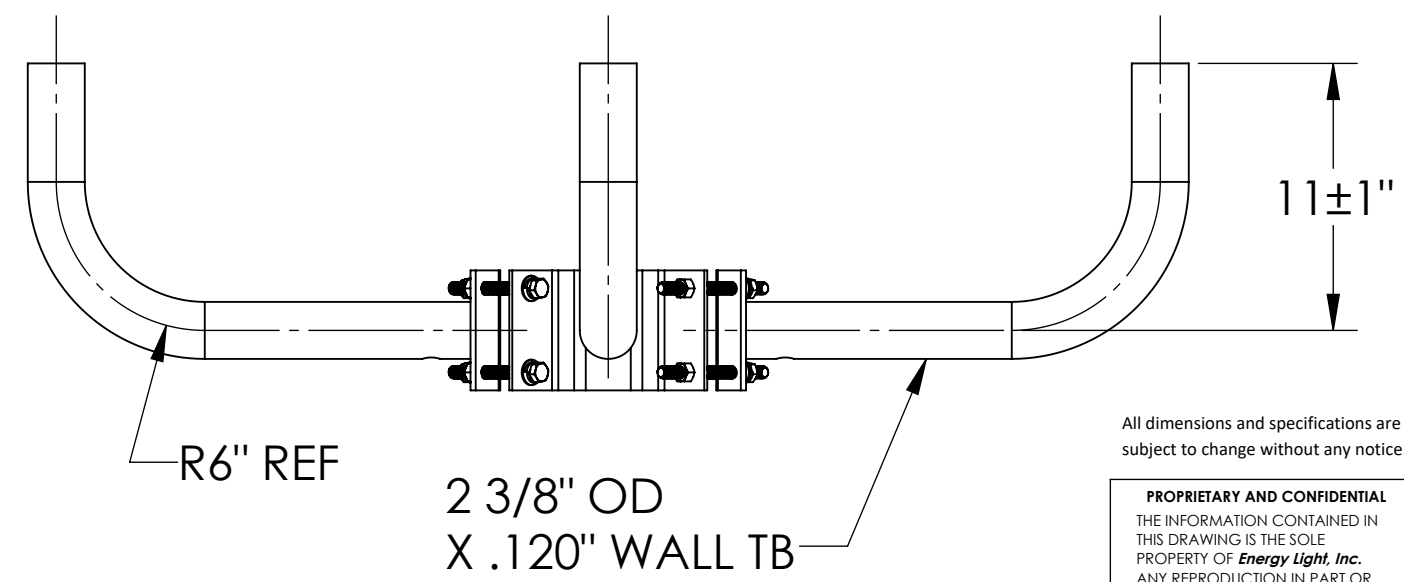
B

B




A

A



All dimensions and specifications are subject to change without any notice.

**PROPRIETARY AND CONFIDENTIAL**  
 THE INFORMATION CONTAINED IN THIS DRAWING IS THE SOLE PROPERTY OF *Energy Light, Inc.* ANY REPRODUCTION IN PART OR AS A WHOLE WITHOUT THE WRITTEN PERMISSION OF *Energy Light, Inc.* IS PROHIBITED.

		UNLESS OTHERWISE SPECIFIED:		NAME	DATE	TITLE: <b>4 Arm Wrap Around Bracket for Wood Poles with 7-10 Inch Diameter</b>			
		DIMENSIONS ARE IN INCHES		DRAWN	MKA			07-09-21	
		TOLERANCES:		ENG APPR.					
		FRACTIONAL ± 1/64		MFG APPR.					
		ANGULAR: ± 0.5°		Q.A.			SIZE	ITEM NO.	REV
		TWO PLACE DECIMAL ±0.01		 Energy Light, Inc. 1881 Rose Road Lake Zurich, IL 60047			<b>B</b>	<b>WPB1154</b>	
		THREE PLACE DECIMAL ±0.005					SCALE: 1:8	WEIGHT: 48 lbs	SHEET 1 OF 1
		INTERPRET GEOMETRIC TOLERANCING PER:							
		MATERIAL							
		FINISH							
NEXT ASSY	USED ON	APPLICATION		DO NOT SCALE DRAWING					

4

3

2

1