

4

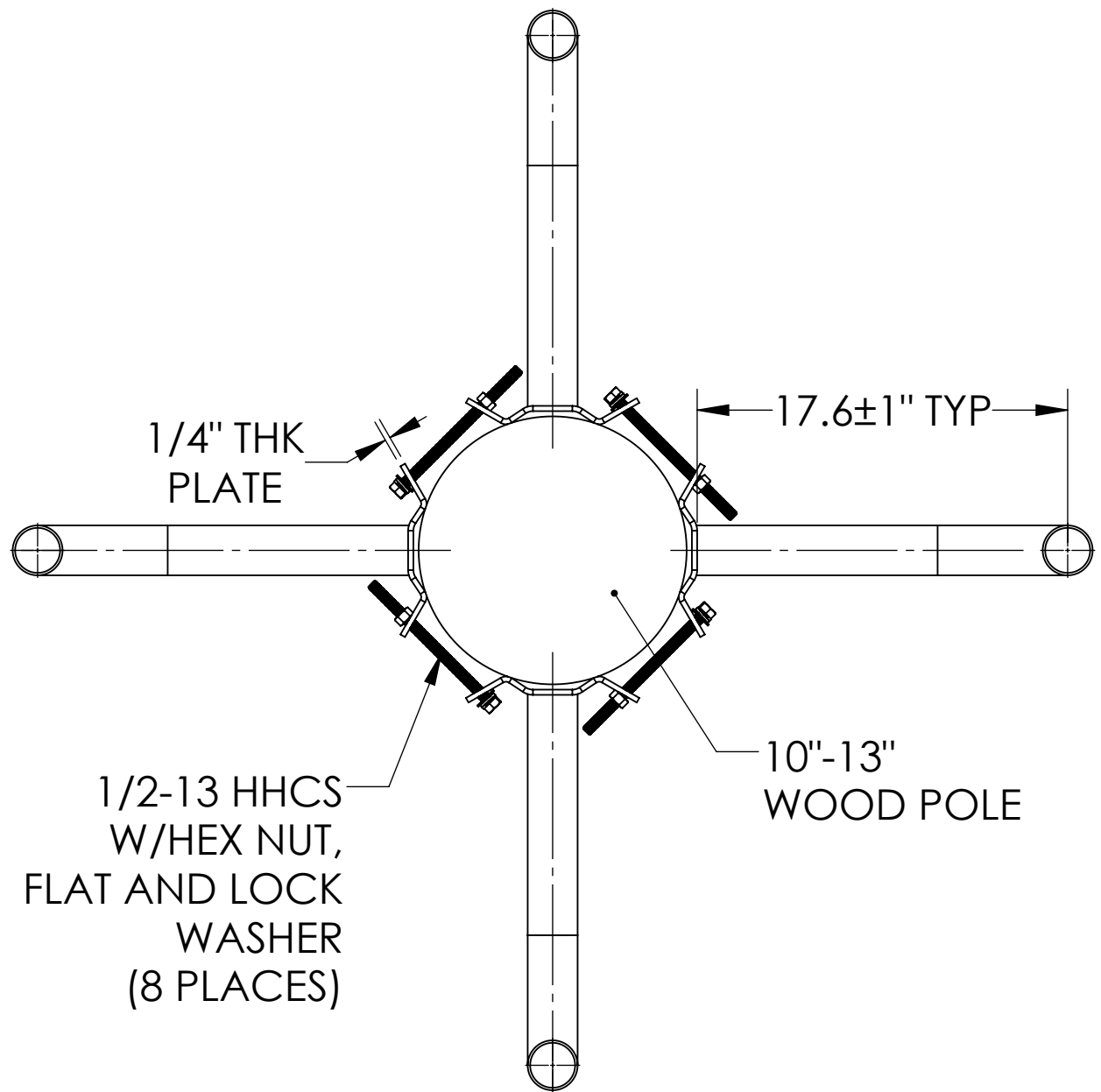
3

2

1

B

B



1/4" THK PLATE

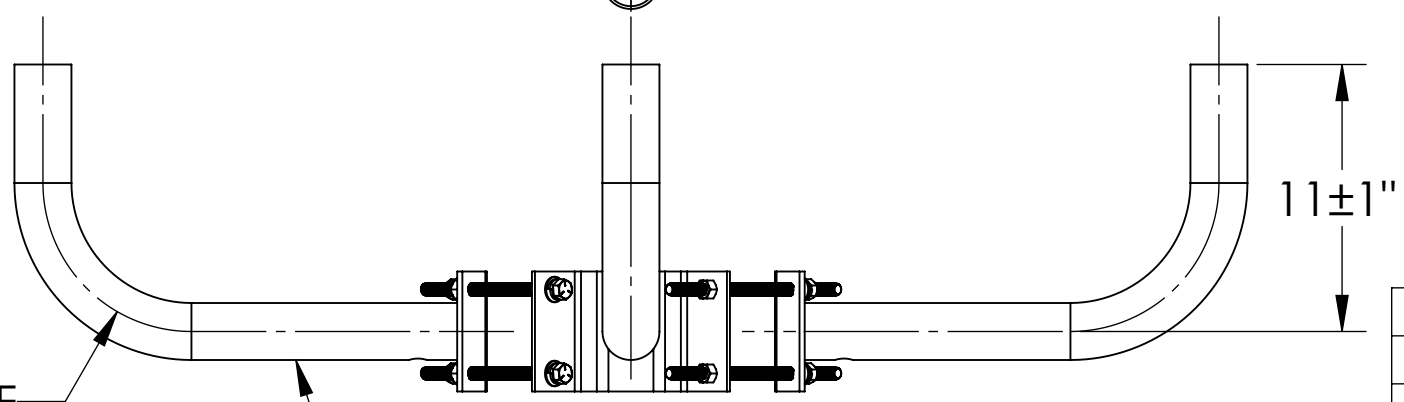
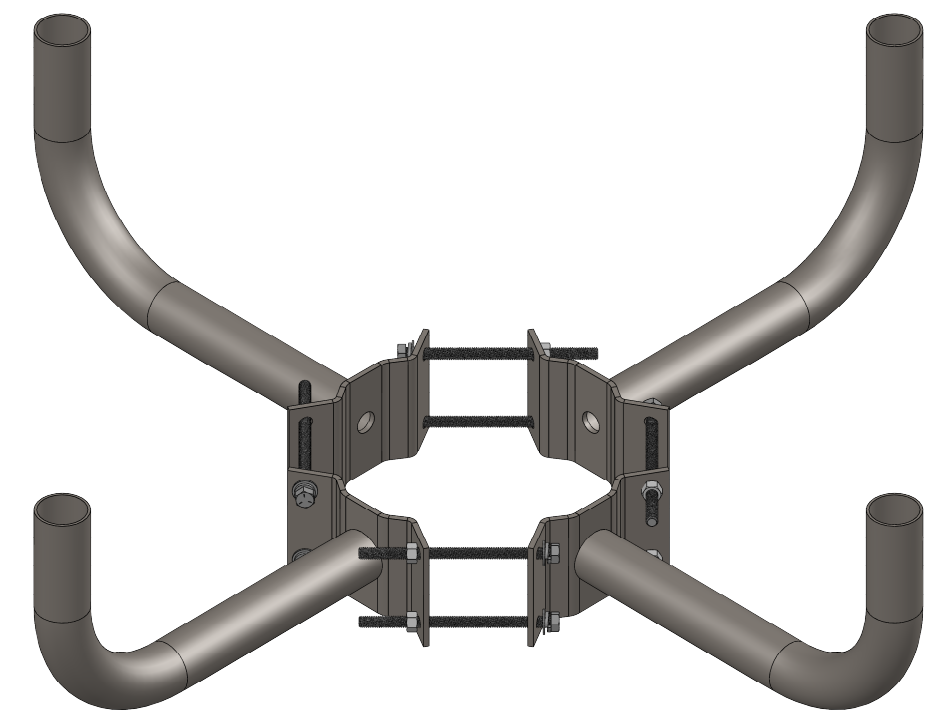
17.6±1" TYP

1/2-13 HHCS W/HEX NUT, FLAT AND LOCK WASHER (8 PLACES)

10"-13" WOOD POLE

A

A




11±1"

R6 REF

2 3/8" OD X .120" WALL TB

All dimensions and specifications are subject to change without any notice.

PROPRIETARY AND CONFIDENTIAL THE INFORMATION CONTAINED IN THIS DRAWING IS THE SOLE PROPERTY OF Energy Light, Inc. ANY REPRODUCTION IN PART OR AS A WHOLE WITHOUT THE WRITTEN PERMISSION OF Energy Light, Inc. IS PROHIBITED.

		UNLESS OTHERWISE SPECIFIED:		NAME	DATE	TITLE: <b>4 Arm Wrap Around Bracket for Wood Poles with 10-13 Inch Diameter</b>			
		DIMENSIONS ARE IN INCHES		DRAWN	MKA			07-09-21	
		TOLERANCES:		ENG APPR.					
		FRACTIONAL ± 1/64		MFG APPR.					
		ANGULAR: ± 0.5°		Q.A.			SIZE	ITEM NO.	REV
		TWO PLACE DECIMAL ±0.01					<b>B</b>	<b>WPB1155</b>	
		THREE PLACE DECIMAL ±0.005					SCALE: 1:8	WEIGHT: 48 lbs	SHEET 1 OF 1
		INTERPRET GEOMETRIC TOLERANCING PER:							
		MATERIAL							
		FINISH							
NEXT ASSY	USED ON	APPLICATION		DO NOT SCALE DRAWING					

4

3

2

1