

# CH16A6RS250

# 16 Foot Round Straight Aluminum Chambered Pole, 6 inch Diameter, .250 Inch Wall Thickness



Energy Light LLC

Job: \_\_\_\_\_  
 Job Site: \_\_\_\_\_ State: \_\_\_\_\_ Client Name: \_\_\_\_\_  
 Notes: \_\_\_\_\_ Approvals: \_\_\_\_\_ Date: \_\_\_\_\_

**Pole Shaft:** The pole shaft is constructed of seamless extruded tube of 6063 Series Aluminum Alloy per the requirements of ASTM B221.

**Handhole:** Handholes are made per order. Minimum vertical distance between handhole openings is 12". Ground lug is included in each handhole opening.

**Finish:** Commercial grade, super durable powder coat finish.  
 Dark Bronze is standard color. White, Black, Gray colors are provided at no extra charge. Other colors and custom color options are available at a surcharge.

**Anchor Bolts:** A set of 4 galvanized steel anchor bolts is provided with each pole assembly. Each anchor bolt includes 1 Hex Nut, 1 Lock Washer and 1 Flat Washer. Energy Light LLC recommends leveling shims instead of leveling nuts. No grouting is required with leveling shims. Shims are available at an additional cost. An actual size paper anchor bolt template is provided.

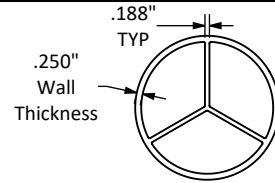
**Bolt Circle Range:** 9"-10".

**Base Style:** 4 Bolt Cast Aluminum Base Flange of Alloy 356-T6 with Aluminum Bolt Covers (Alloy 356-F) and Stainless Steel Hex Head Attaching Screws.

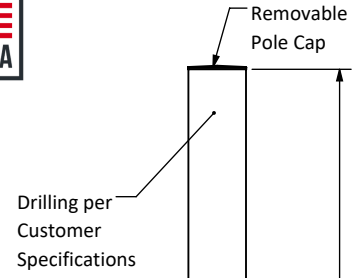
**Other Options:** The following options are available:  
 Custom tenon sizes, custom colors, receptacle opening and additional handhole.

**Warranty:** 5 Years.

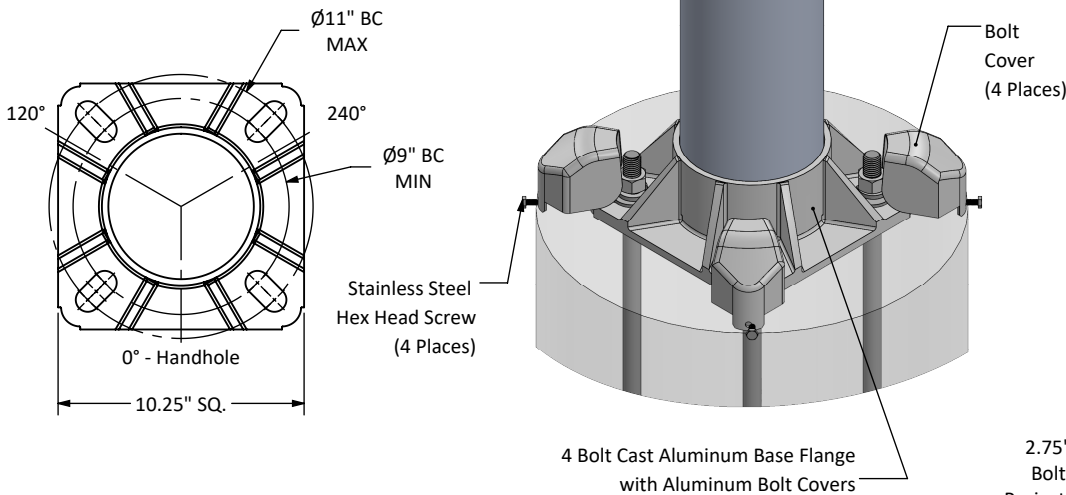
**Foundation design:** Foundation should be designed by an engineer familiar with local soil and wind conditions as well as local code where the pole(s) will be installed.



Chambered Pole Profile



Max. EPA (ft2) per AASHTO LRFDLTS-1										Weight (lbs)
100 mph	110 mph	115 mph	120 mph	130 mph	140 mph	150 mph	160 mph	170 mph	180 mph	
6.8	5.4	4.8	4.5	3.7	3.1	2.4	2.0	1.8	1.4	120



**Disclaimer:** All dimensions and specifications are subject to change without any notice. Energy Light LLC is not responsible for any claims arising from improper loading (what is attached to the light pole), improper use, incorrect foundation design and/or installation.

