

# QS20A6RT156DB

## Quick ship, Round Tapered Direct Burial Aluminum Light Pole 20 Foot Above Grade, 6 Inch Diameter, 0.156 Inch Wall Thickness



Job: \_\_\_\_\_  
 Job Site: \_\_\_\_\_ State: \_\_\_\_\_ Client Name: \_\_\_\_\_  
 Notes: \_\_\_\_\_ Approvals: \_\_\_\_\_ Date: \_\_\_\_\_

**Pole Top Options:** A removable pole cap is provided. If tenon option is selected, a 2-3/8" or 3" diameter tenon with 4 inch length is provided.

**Pole Shaft:** 20 ft. height above ground tapered aluminum shaft with 0.156" wall thickness. The pole shaft is constructed of seamless extruded tube of 6063 Series Aluminum Alloy.

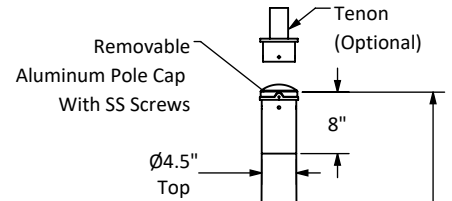
**Handhole:** Reinforced 3"x5" handhole is located 18 inches above ground. Handhole cover with 2 screws is provided. A ground lug with set screw is located near the handhole opening for proper grounding of the pole.

**Embedment:** Embedment length is 5 ft. Wire accesses are provided 24" below ground line.

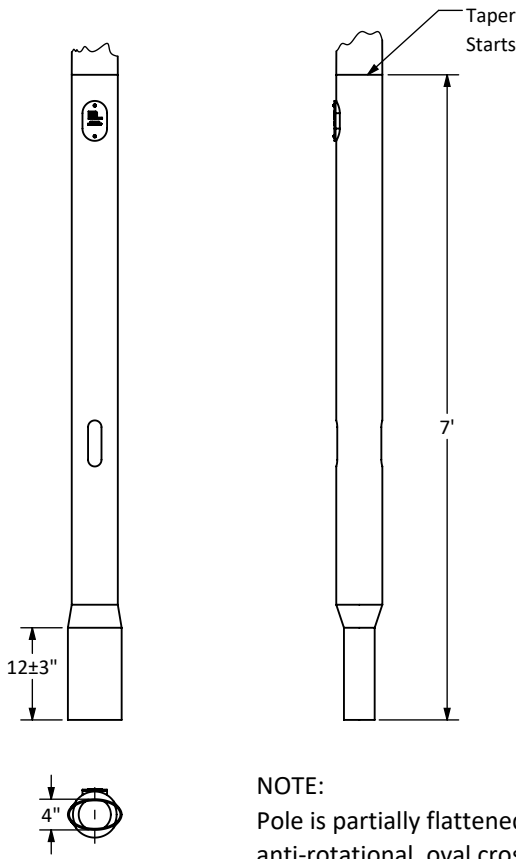
**Finish:** Brushed natural aluminum.

**Warranty:** 5 Years

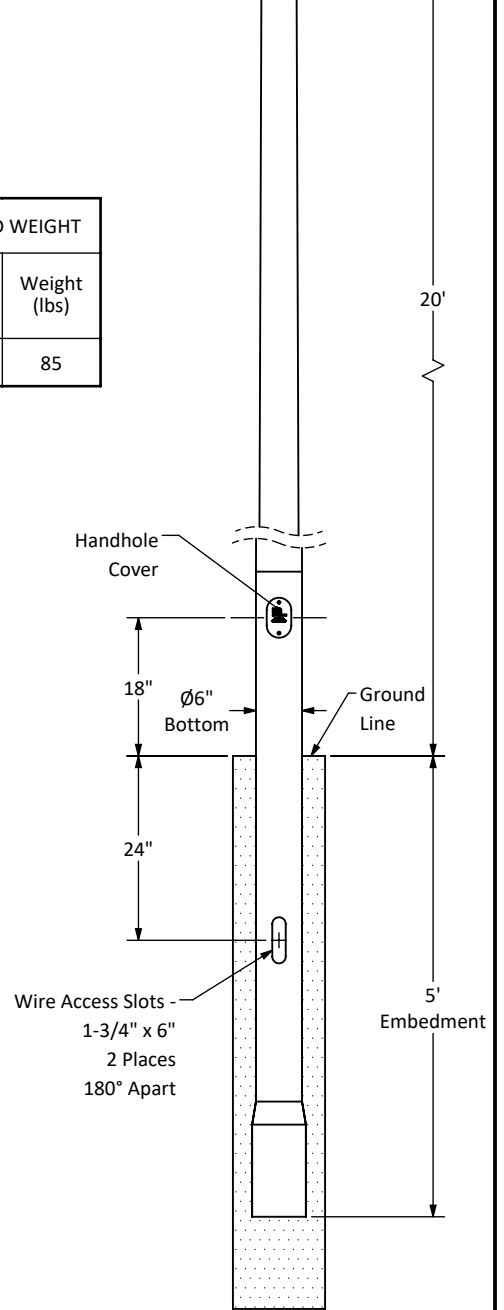
**Foundation design:** Foundation should be designed by an engineer familiar with local soil and wind conditions as well as local code where the pole(s) will be installed.



POLE WIND RATING (EPA) with 1.3 Gust Factor								POLE LENGTH AND WEIGHT		
115 mph	120 mph	130 mph	140 mph	150 mph	160 mph	170 mph	180 mph	Embedment (ft)	Total Length (ft)	Weight (lbs)
10.1	9.5	7.9	6.7	5.7	4.9	4.3	3.6	5	25	85



**NOTE:**  
 Pole is partially flattened into an anti-rotational, oval cross section



**Disclaimer:** All dimensions and specifications are subject to change without any notice. Energy Light LLC is not responsible for any claims arising from improper loading (what is attached to the light pole), improper use, incorrect foundation design and/or installation.