

QS30A8RT156

30 Foot Round Tapered Aluminum Light Pole, 8 Inch Diameter, 0.156 Inch Wall Thickness



Job: _____
 Job Site: _____ State: _____ Client Name: _____
 Notes: _____ Approvals: _____ Date: _____

Pole Top Options: A removable pole cap is provided. If tenon option is selected, a 2-3/8" or 3" diameter tenon with 4 inch length is provided.

Pole Shaft: 30 ft. height tapered aluminum shaft with 0.156" wall thickness. The pole shaft is constructed of seamless extruded tube of 6063 Series Aluminum Alloy.

Handhole: Reinforced 4"x6" handhole is located 18 inches above ground. Handhole cover with 2 screws is provided. A ground lug with set screw is located near the handhole opening for proper grounding of the pole.

Finish: Brushed natural aluminum.

Anchor Bolts: A set of 4 galvanized steel anchor bolts is provided with each pole assembly. Each anchor bolt includes 1 Hex Nut, 1 Lock Washer and 1 Flat Washer.

Energy Light LLC recommends leveling shims instead of leveling nuts.

No grouting is required with leveling shims. Shims are available at a surcharge.

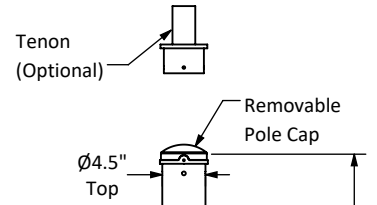
An actual size paper anchor bolt template is provided.

Bolt Circle Range: 11"-12".

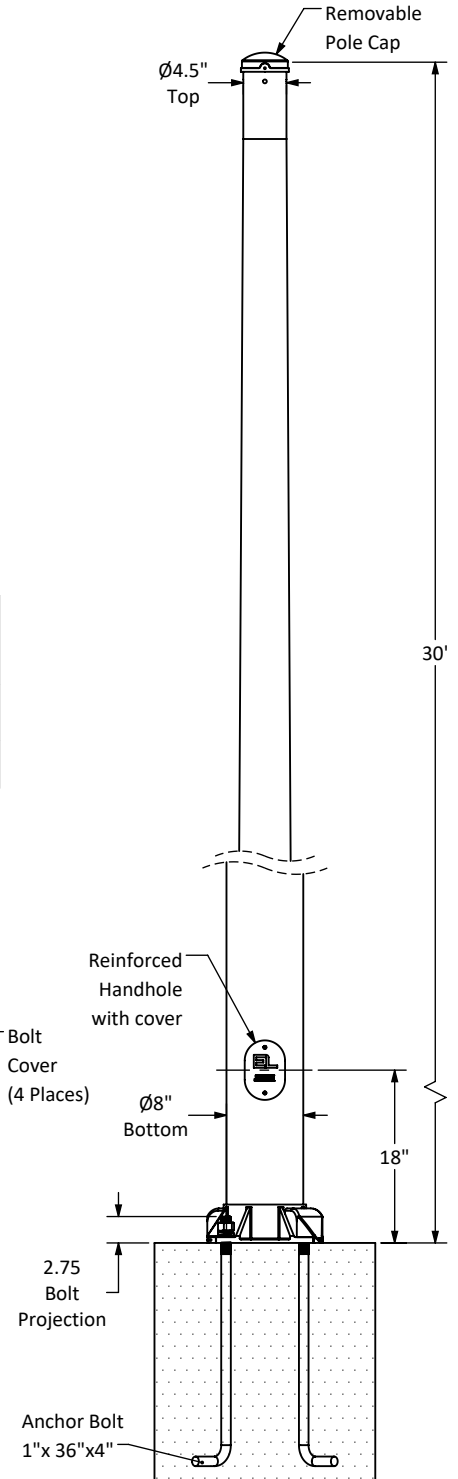
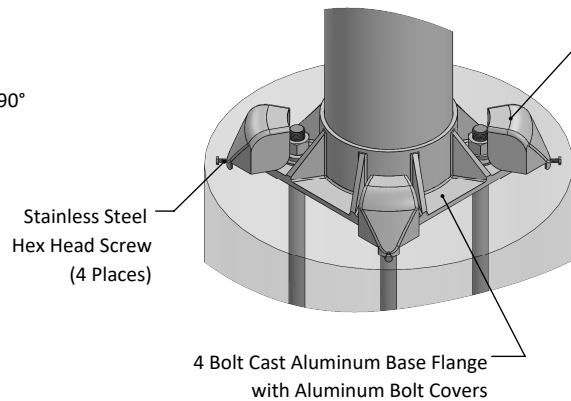
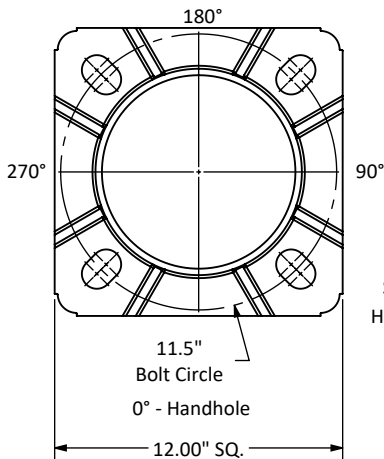
Base Style: 4 Bolt Cast Aluminum Base Flange of Alloy 356-T6 with Aluminum Bolt Covers (Alloy 356-F) and Stainless Steel Hex Head Attaching Screws.

Warranty: 5 Years.

Foundation design: Foundation should be designed by an engineer familiar with local soil and wind conditions as well as local code where the pole(s) will be installed.



Max. allowable EPA (ft ²) per AASHTO LRFDLTS-1								Pole Weight (lbs)
115 mph	120 mph	130 mph	140 mph	150 mph	160 mph	170 mph	180mph	
5.6	4.9	3.2	2.5	1.6	1.3	0.9	0.5	122



Disclaimer: All dimensions and specifications are subject to change without any notice. Energy Light LLC is not responsible for any claims arising from improper loading (what is attached to the light pole), improper use, incorrect foundation design and/or installation.