

Job: \_\_\_\_\_

Job Site: \_\_\_\_\_

State: \_\_\_\_\_

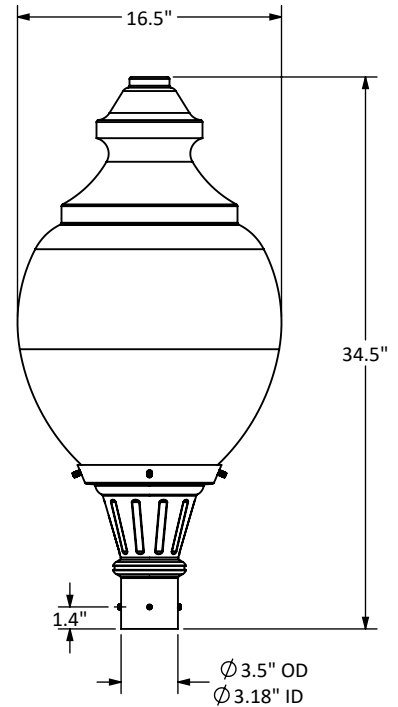
Client Name: \_\_\_\_\_

Notes: \_\_\_\_\_

Approvals: \_\_\_\_\_

Date: \_\_\_\_\_

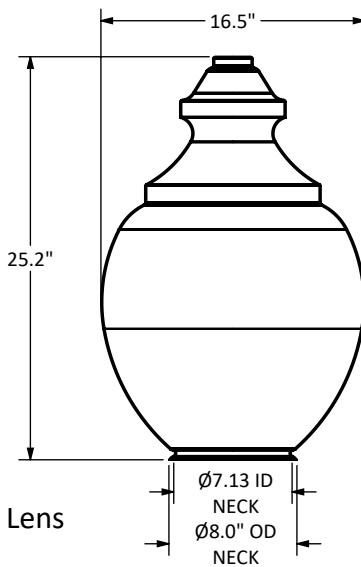
- This standard acorn fixture is designed to fit over a 3 inch pole or tenon. The base slides over a 3 inch O.D. pole and is locked-in place with set screws. The acorn is attached to the base assembly with set screws, making replacement of the bulb or acorn very easy.
- The base assembly is made of heavy-duty cast aluminum making this fixture suitable for coastal areas. Standard color for base is Black. Custom colors are available.
- The acorn lens is made of clear polycarbonate material and has a translucent texture. Decorative finial options are available.
- EPA: 1.9
- Weight: 10 lbs



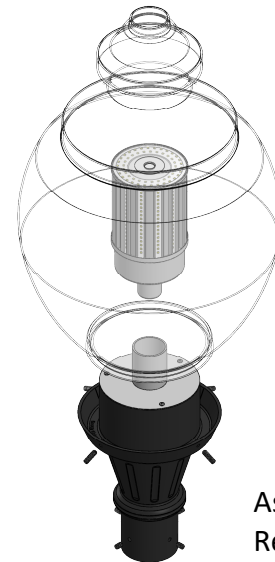
**LED Lamp**

LED Power (Watt)	Lumens
27	4,185
36	5,580
45	6,975
63	9,765
80	12,400
100	15,500

- Voltage: 120-277V
- Lumens/Watt: 155
- CRI: >80
- Power Factor: >0.9
- Life Expectancy: >50,000 hours
- Color Temperature: 3000K; 4000K; 5000K
- Non-Dimmable
- DLC Listed: Yes
- Warranty: 5 Years



Acorn Lens



Assembly Required

**Disclaimer:** All dimensions and specifications are subject to change without any notice. Energy Light, Inc. is not responsible for any claims arising from improper use and/or installation.